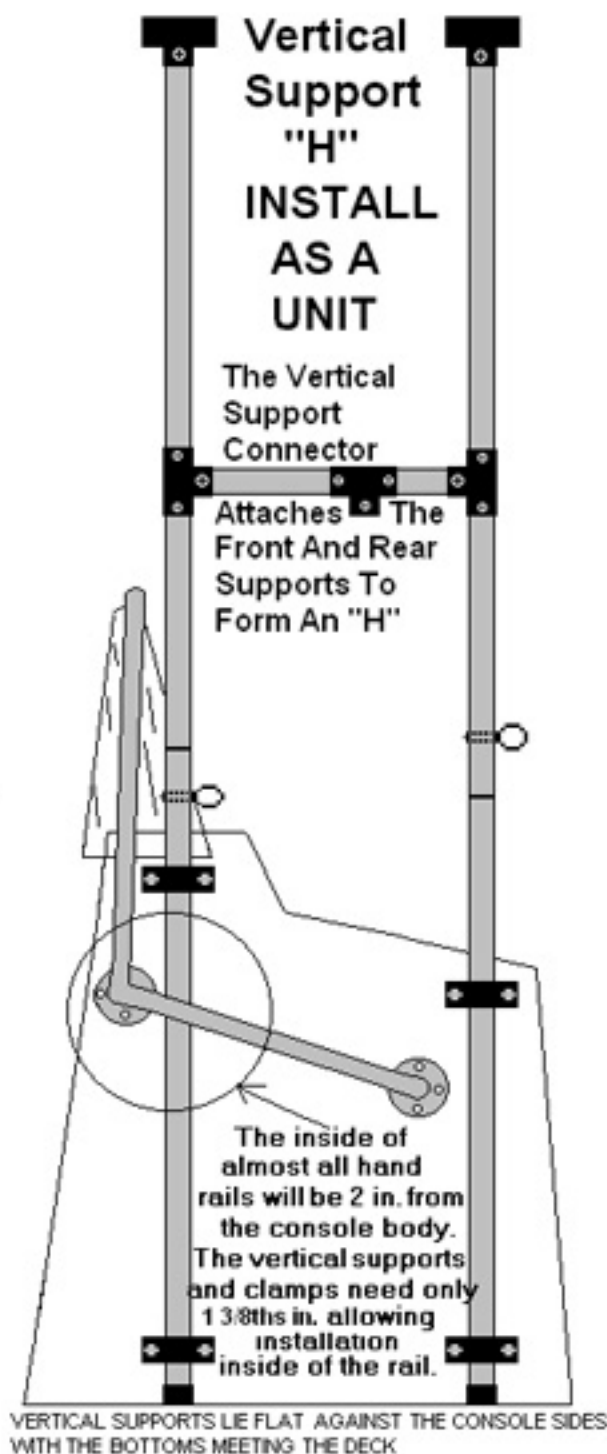
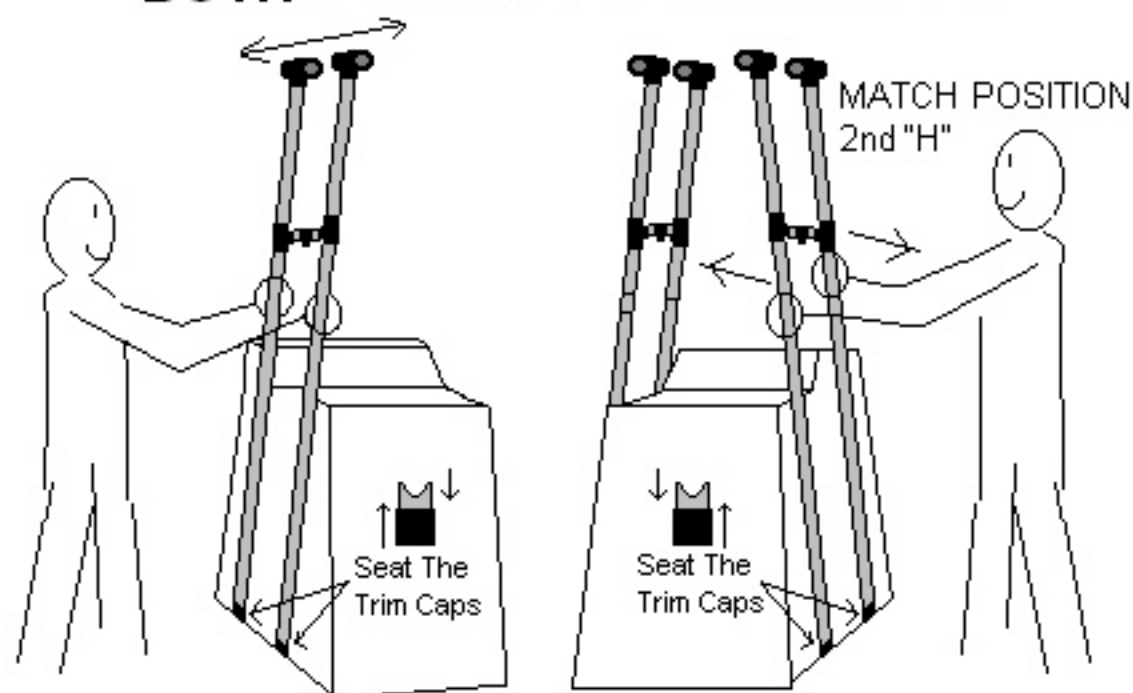


## VERTICAL SUPPORT "H" ASSEMBLY



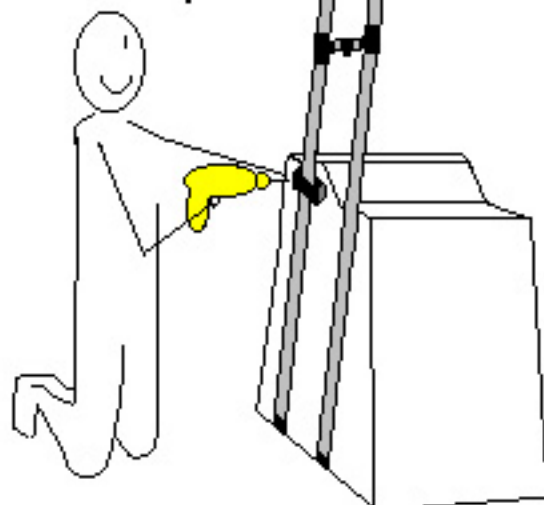
**CHECK MOUNTING POSITIONS FOR BOTH VERTICAL "H" ASSEMBLIES**



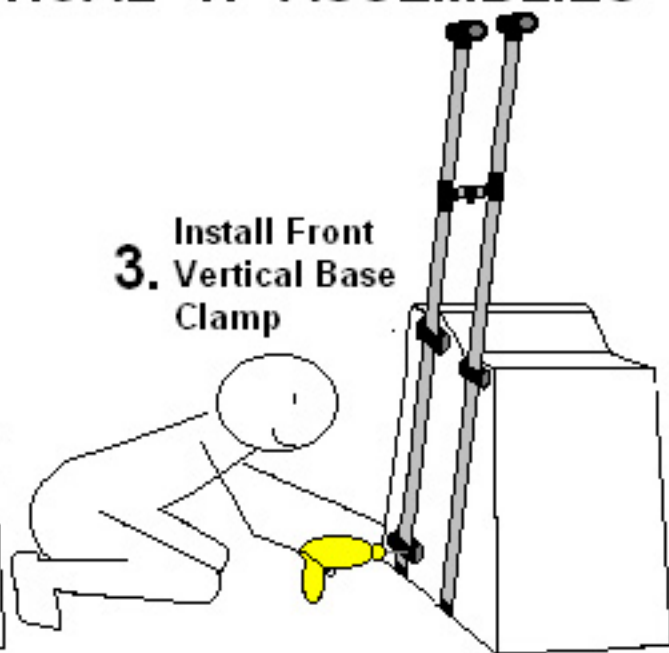
**THE "H" ASSEMBLIES MUST BE  
INSTALLED IN MATCHING POSITIONS  
ON BOTH SIDES OF THE CONSOLE**

## INSTALL THE VERTICAL "H" ASSEMBLIES

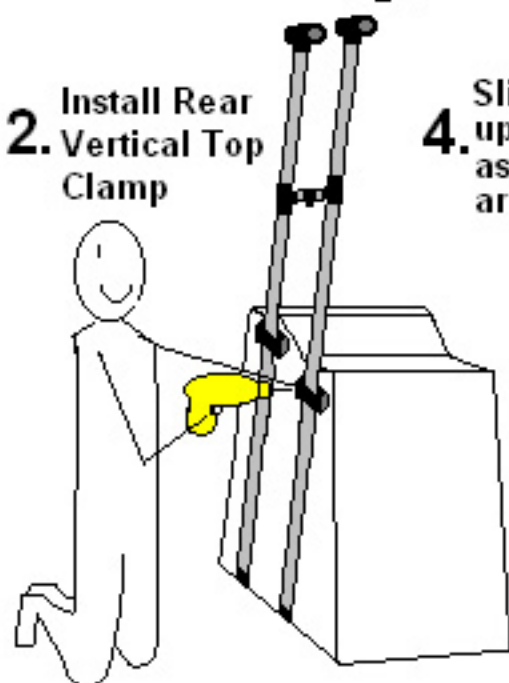
1. Install Front Vertical Top Clamp



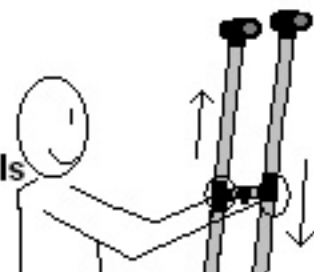
3. Install Front Vertical Base Clamp



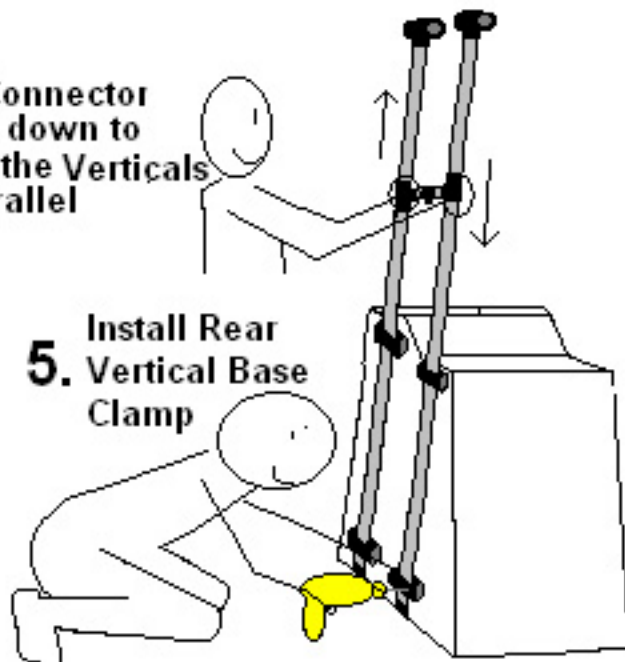
2. Install Rear Vertical Top Clamp



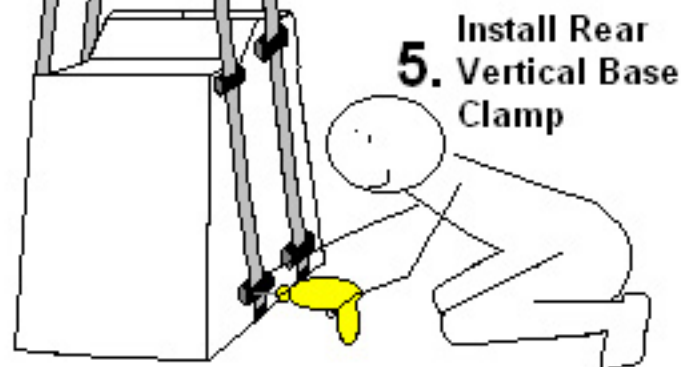
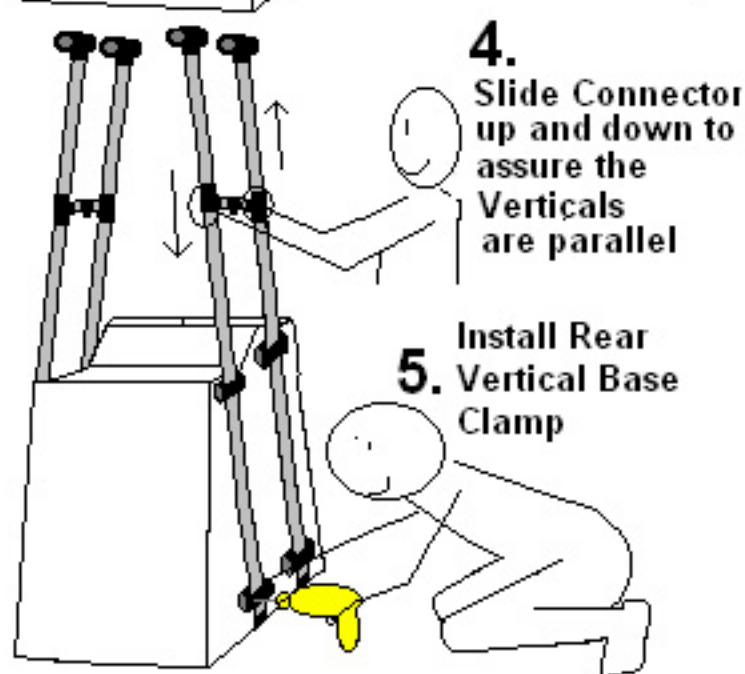
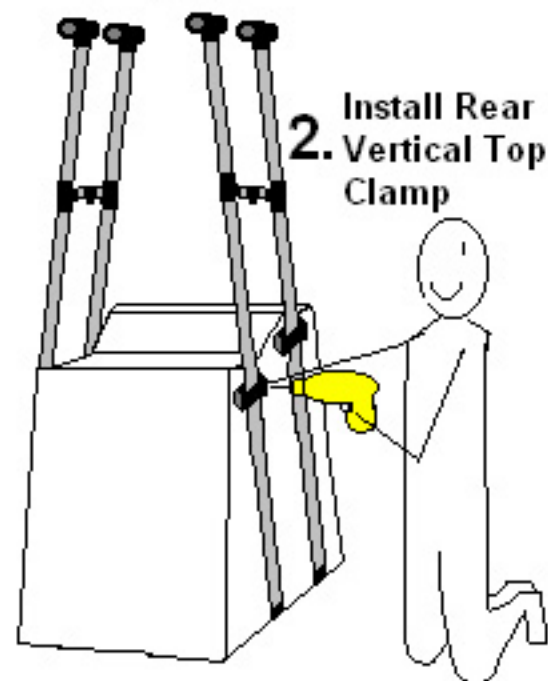
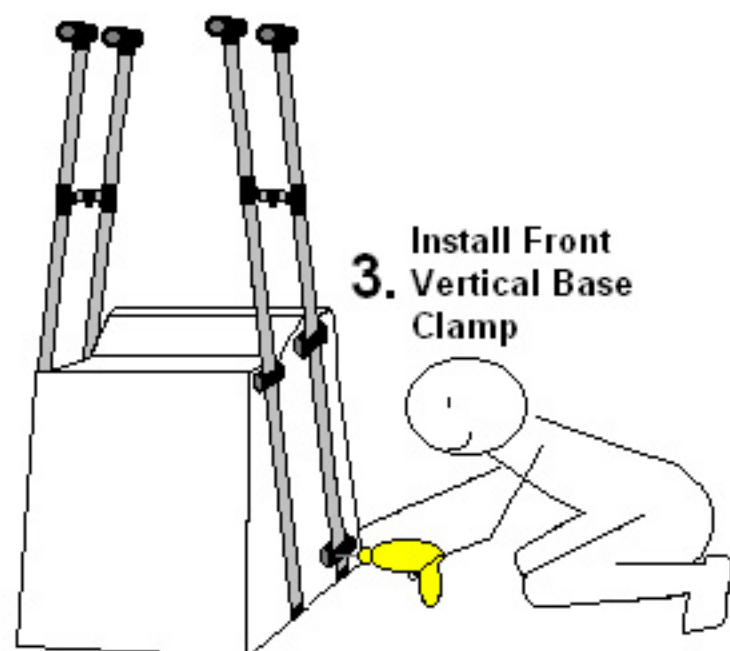
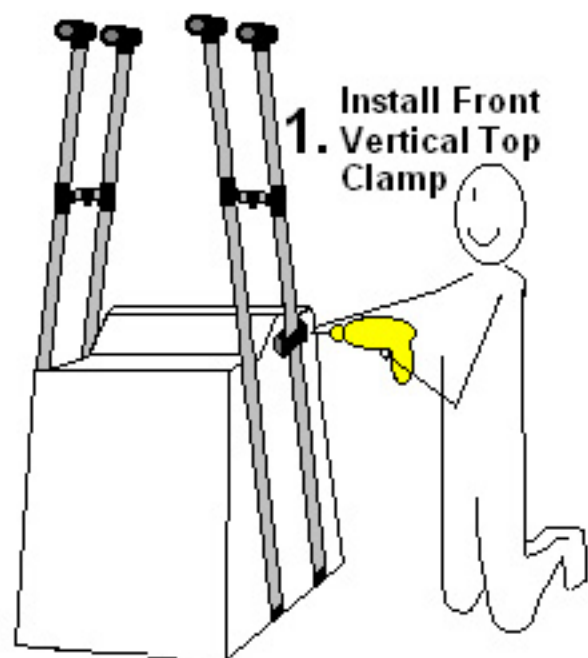
4. Slide Connector up and down to assure the Verticals are parallel



5. Install Rear Vertical Base Clamp



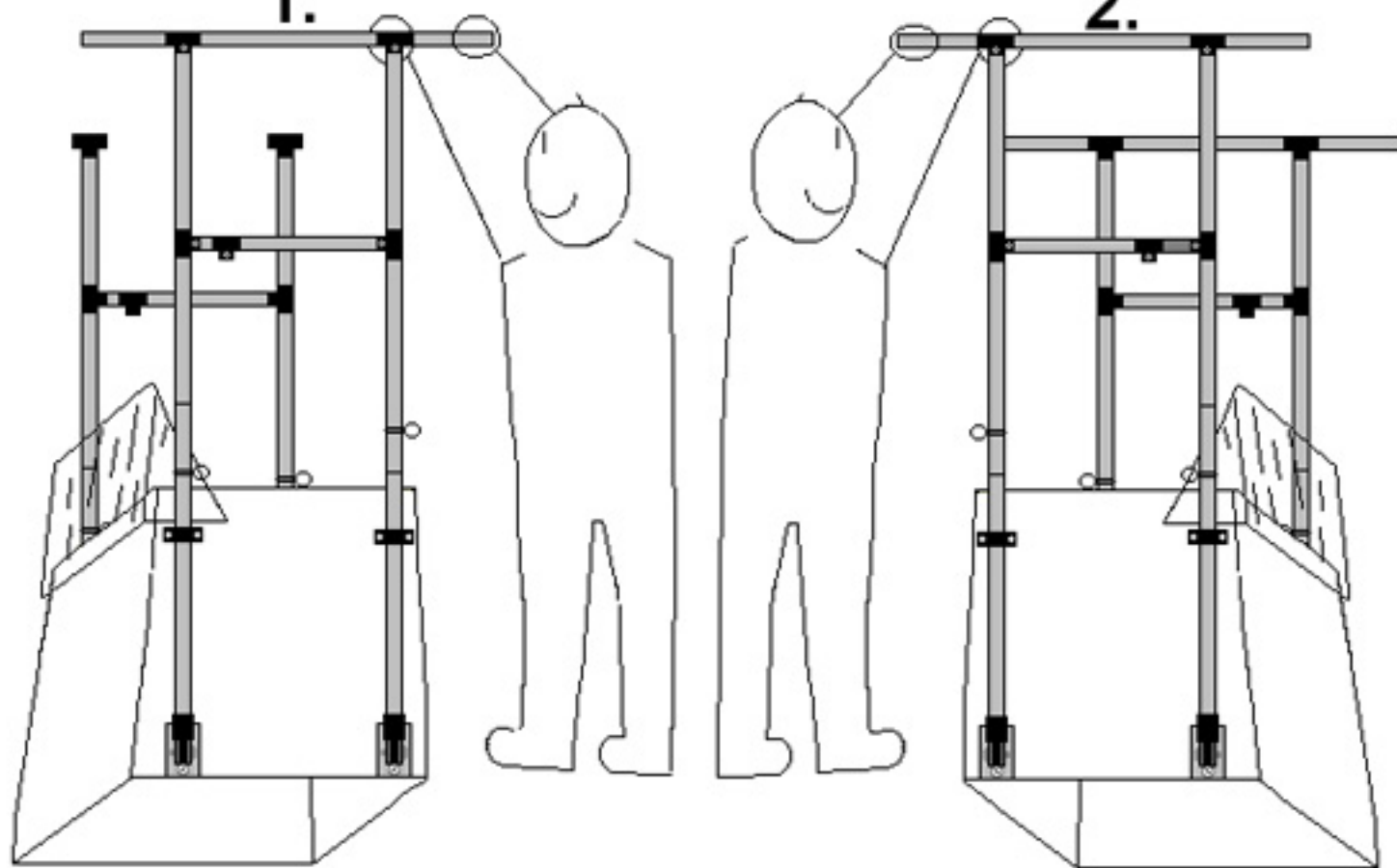
## INSTALL THE OTHER "H" IN A MATCHED POSITION



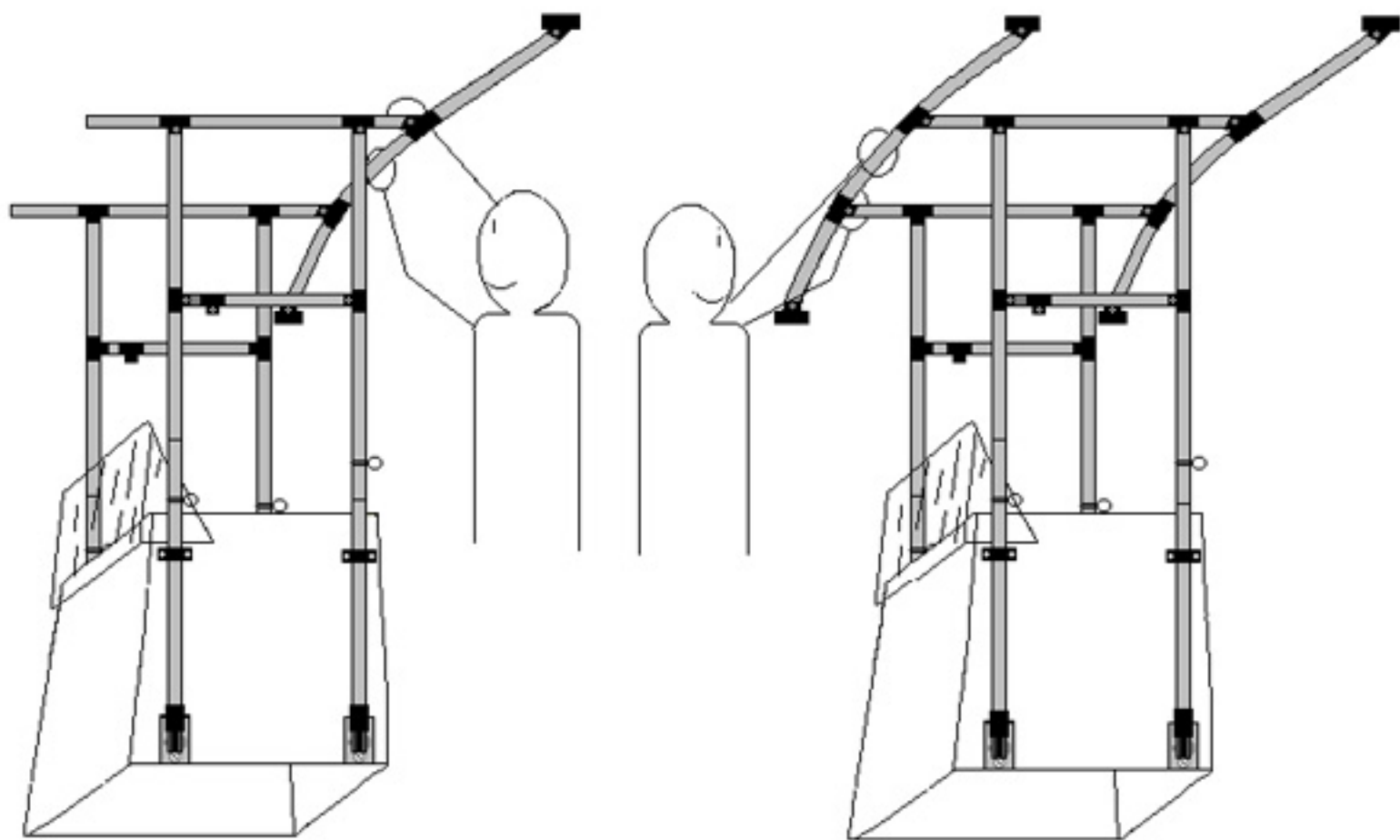
**SLIDE THE CARRIER BARS THROUGH THE VERTICAL SUPPORT "T" FITTINGS**

**1.**

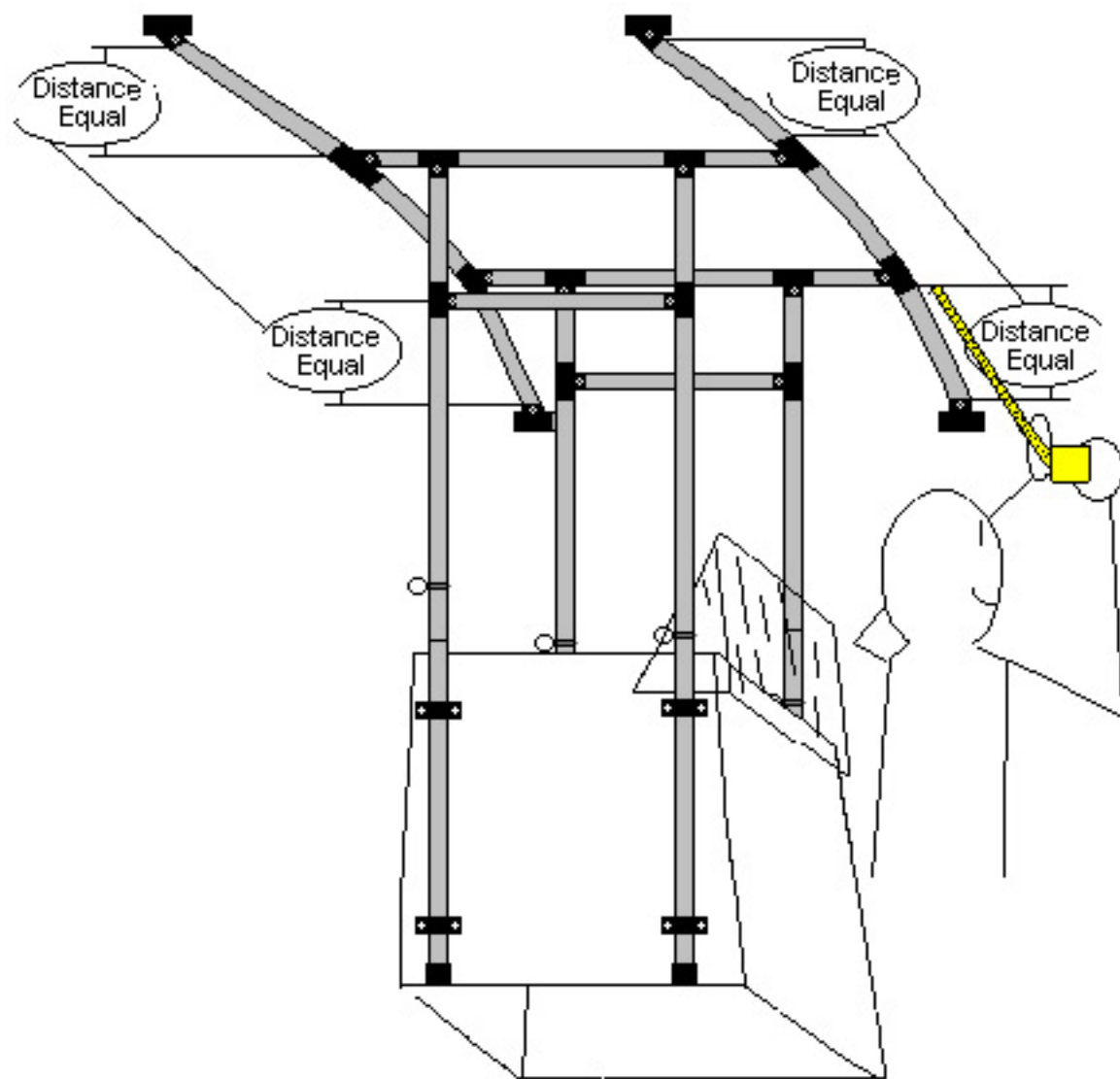
**2.**



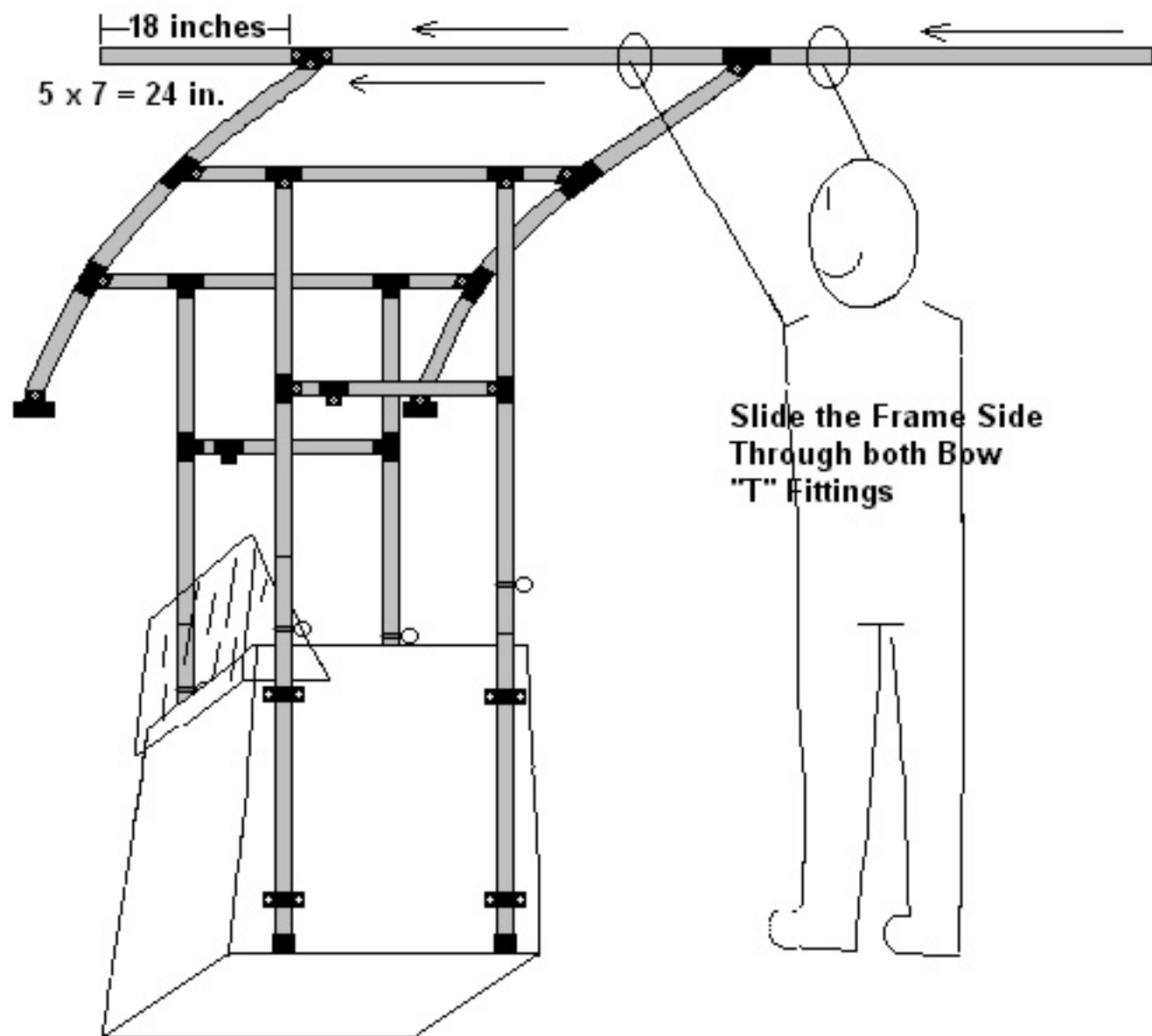
## ATTACH THE TWO PREASSEMBLED BOWS TO THE CARRIER BARS



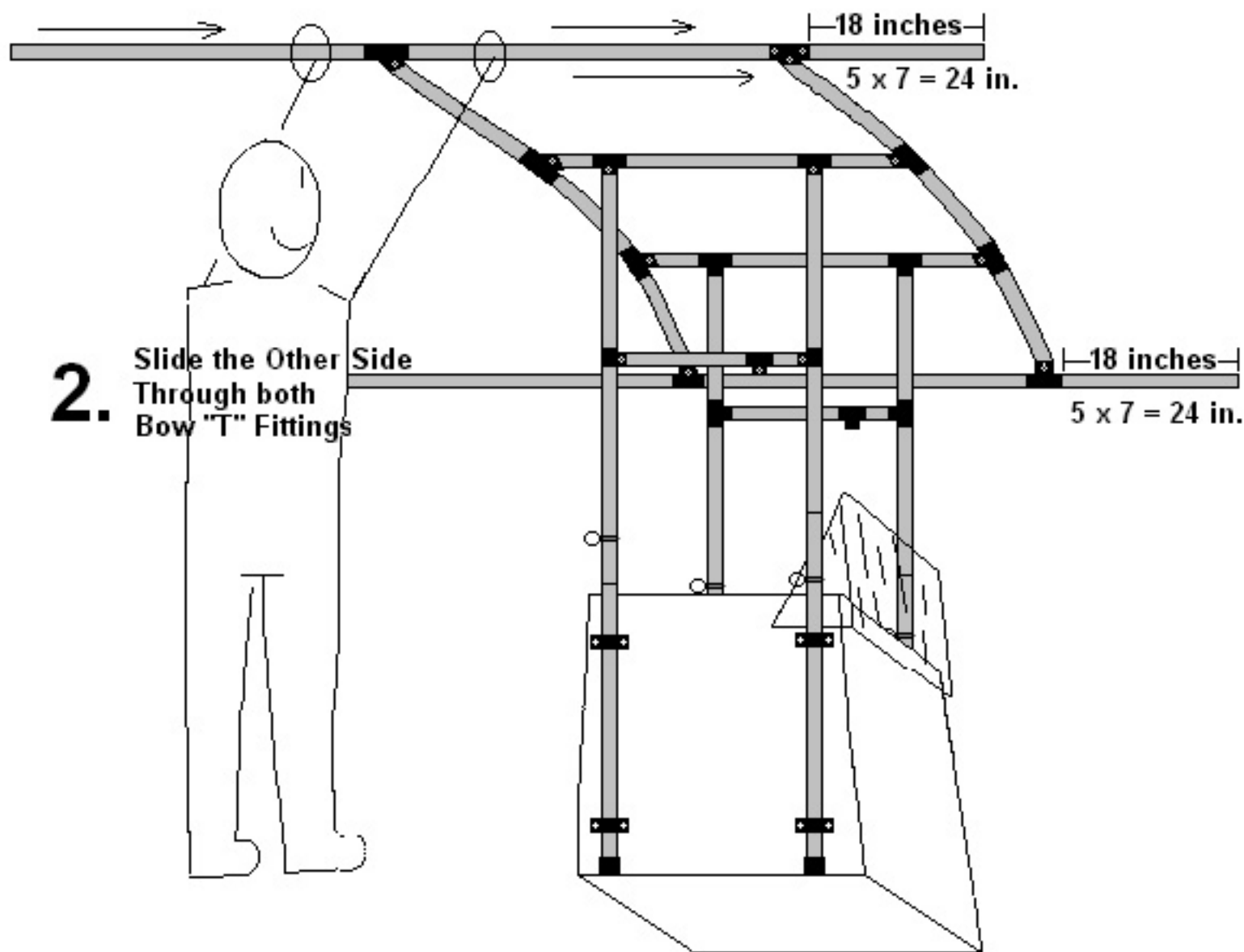
## CENTER AND SECURE THE BOWS



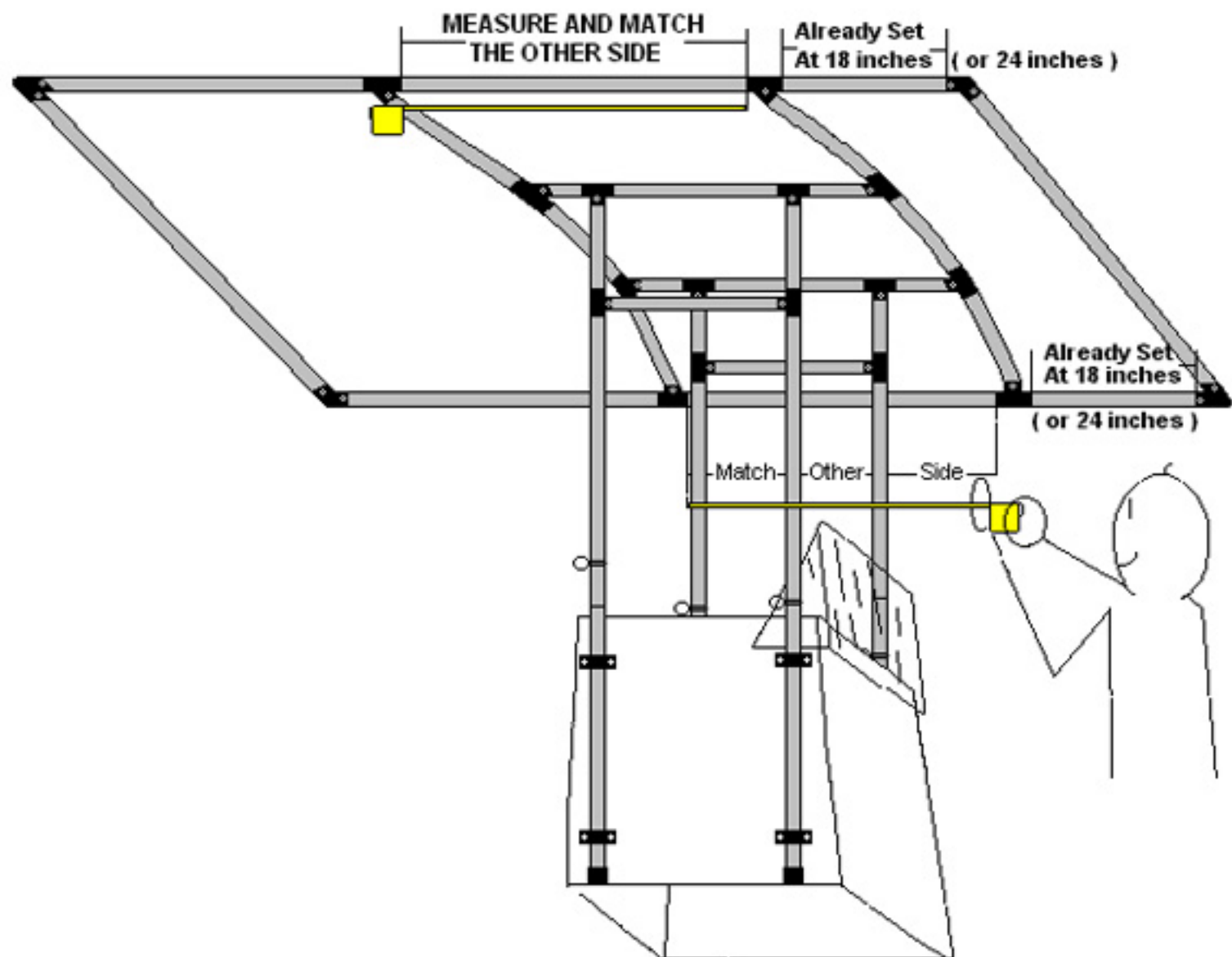
## INSTALL A COVER FRAME SIDE



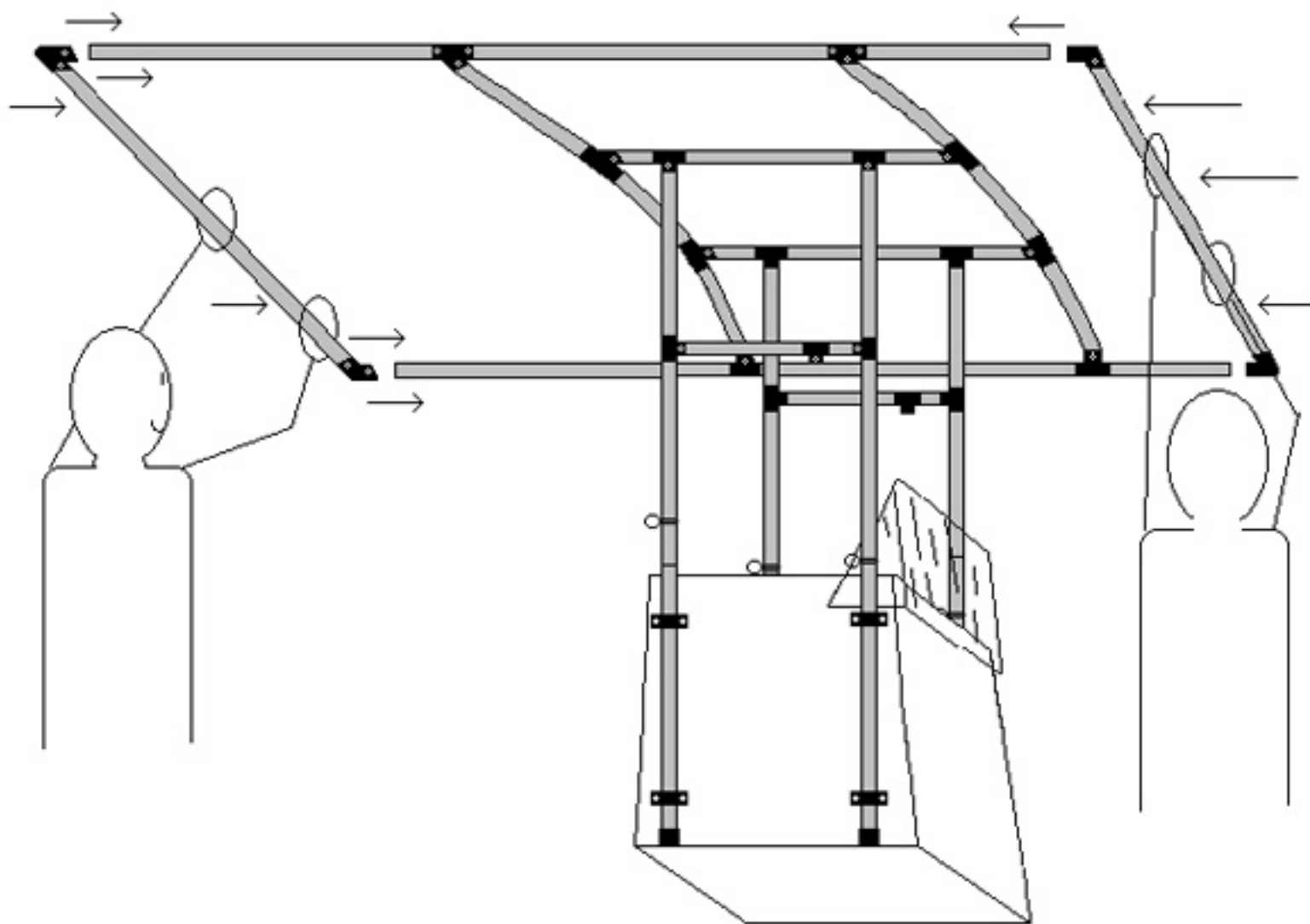
## INSTALL THE OTHER COVER FRAME SIDE



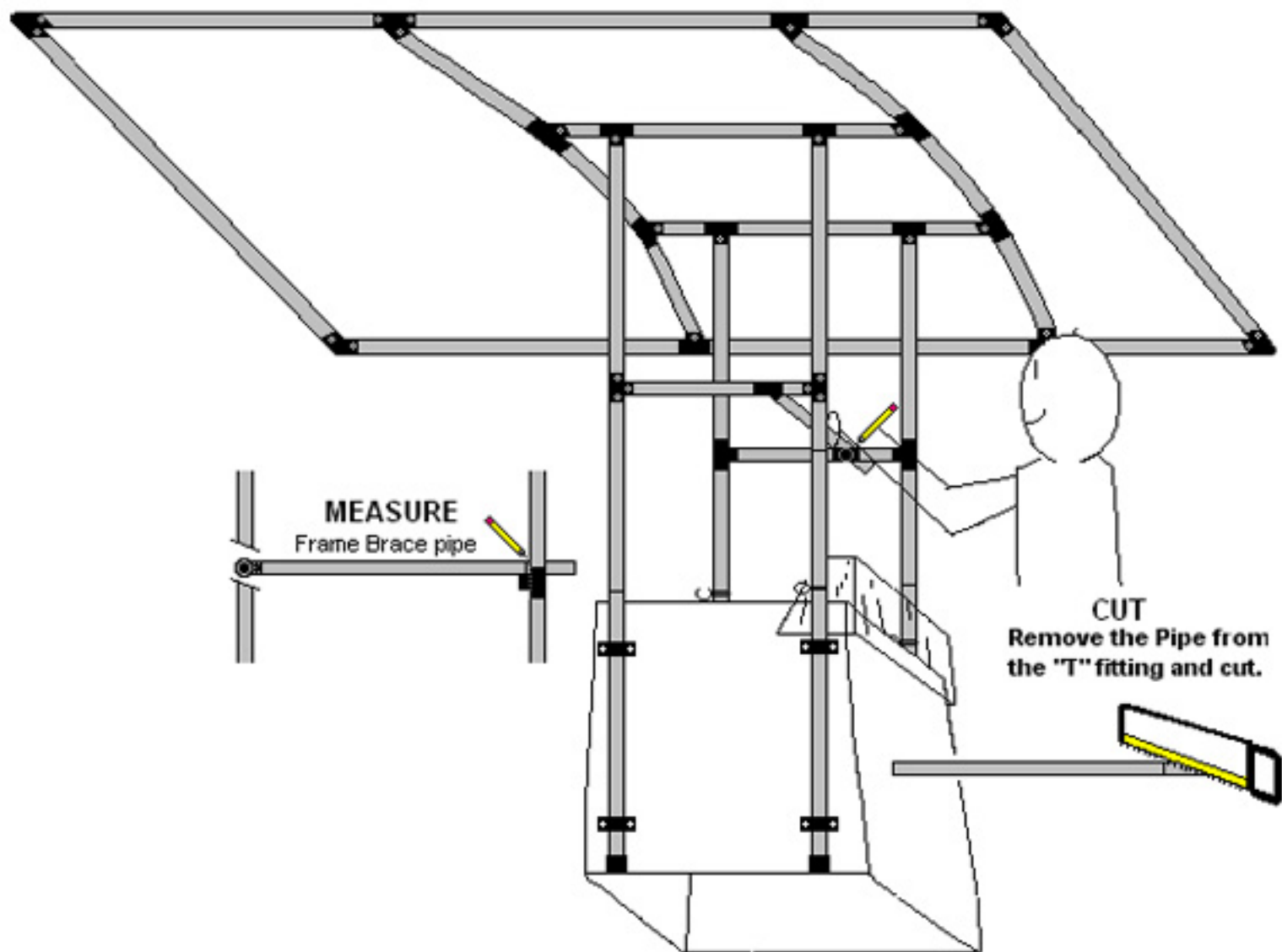
## ALIGN AND SECURE THE COVER FRAME SIDES



**INSTALL FRONT AND REAR COVER FRAME EDGES**



## INSTALL THE FRAME BRACE



## DETACHING AND STORING THE COVER FRAME

