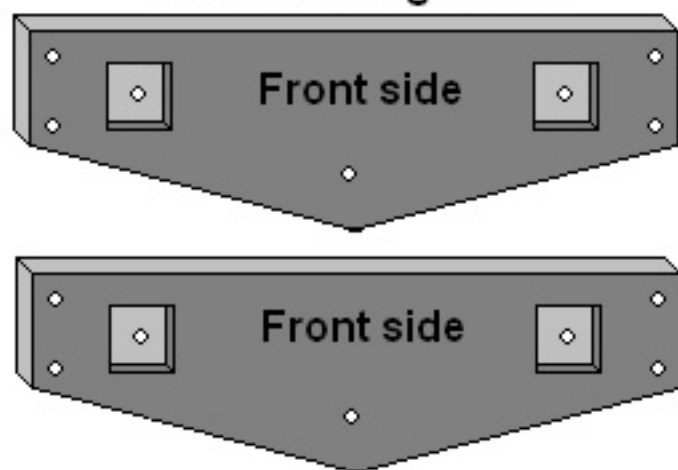


PARTS LIST

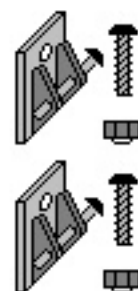
Two Mounting Plates



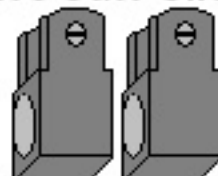
Four Eye Caps



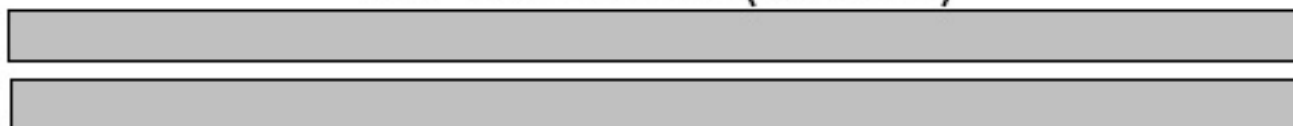
Two Deck Hinges
2 bolts
2 Locknuts



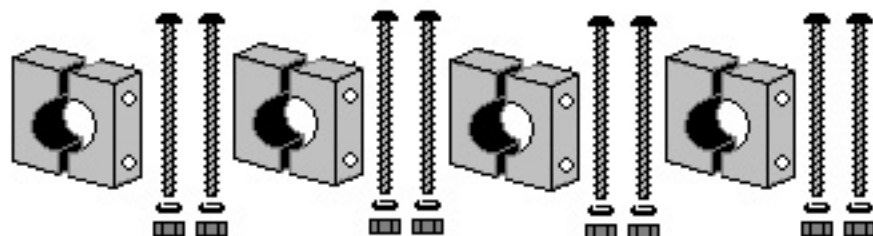
Two Jaw Slides



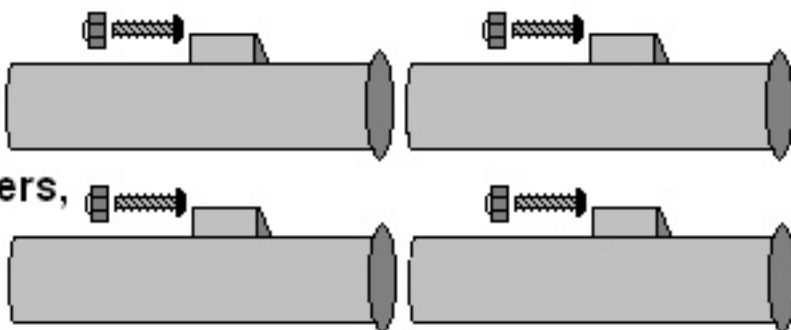
two 18 inch Struts (cut to fit)



8 Clamp 1/2s,
8 2.25in. bolts
8 nuts
8 Lockwashers

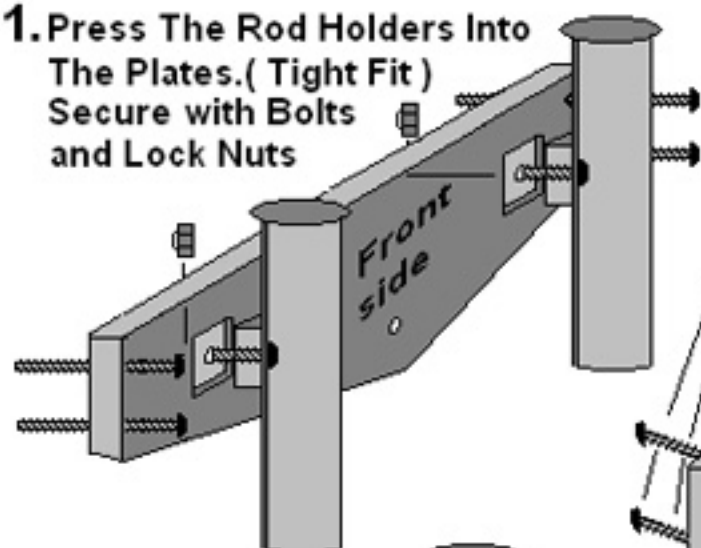


Four Rod Holders,
4 bolts,
4 locknuts

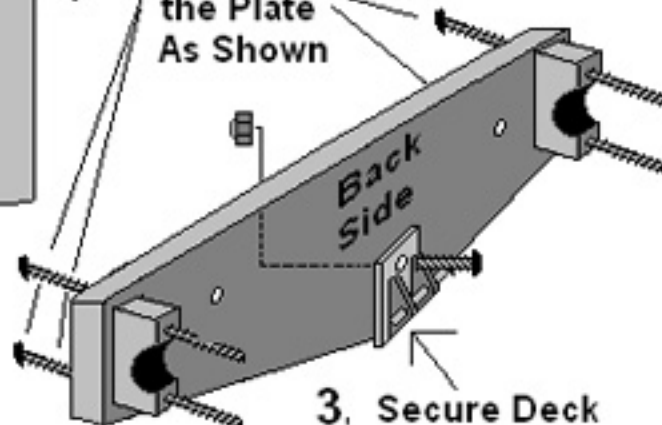


ASSEMBLE THE TWO ROD HOLDER PLATES

1. Press The Rod Holders Into The Plates. (Tight Fit) Secure with Bolts and Lock Nuts

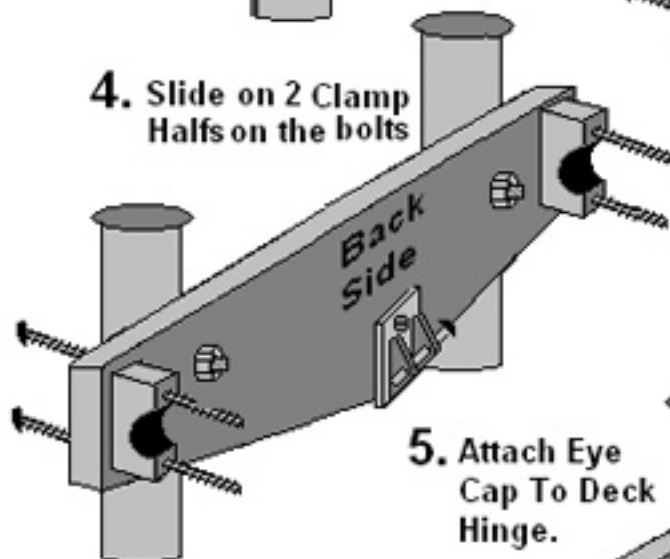


2. Run the 2.25 in Bolts Through the Plate As Shown

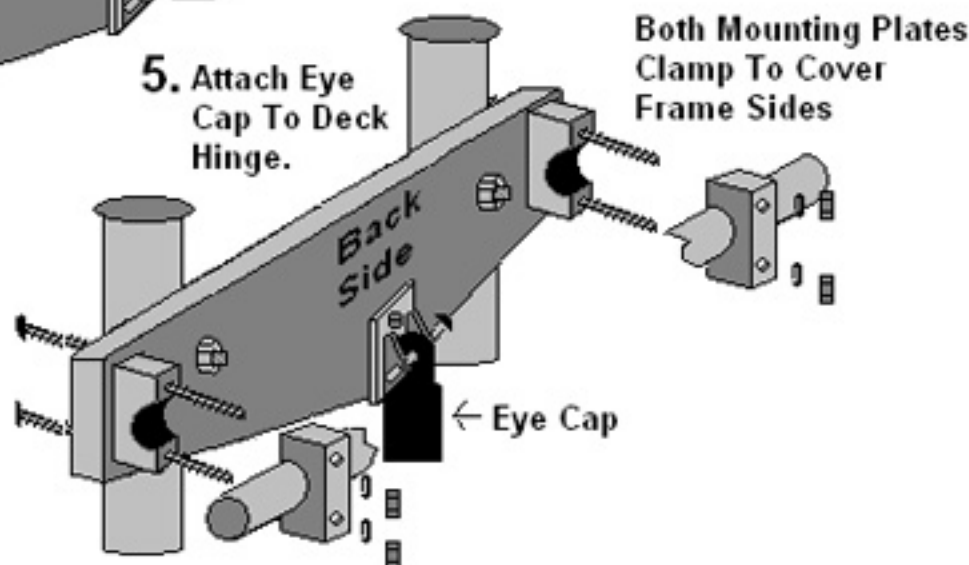


3. Secure Deck Hinge As Shown With Bolt and Lock Nut.

4. Slide on 2 Clamp Halves on the bolts



5. Attach Eye Cap To Deck Hinge.

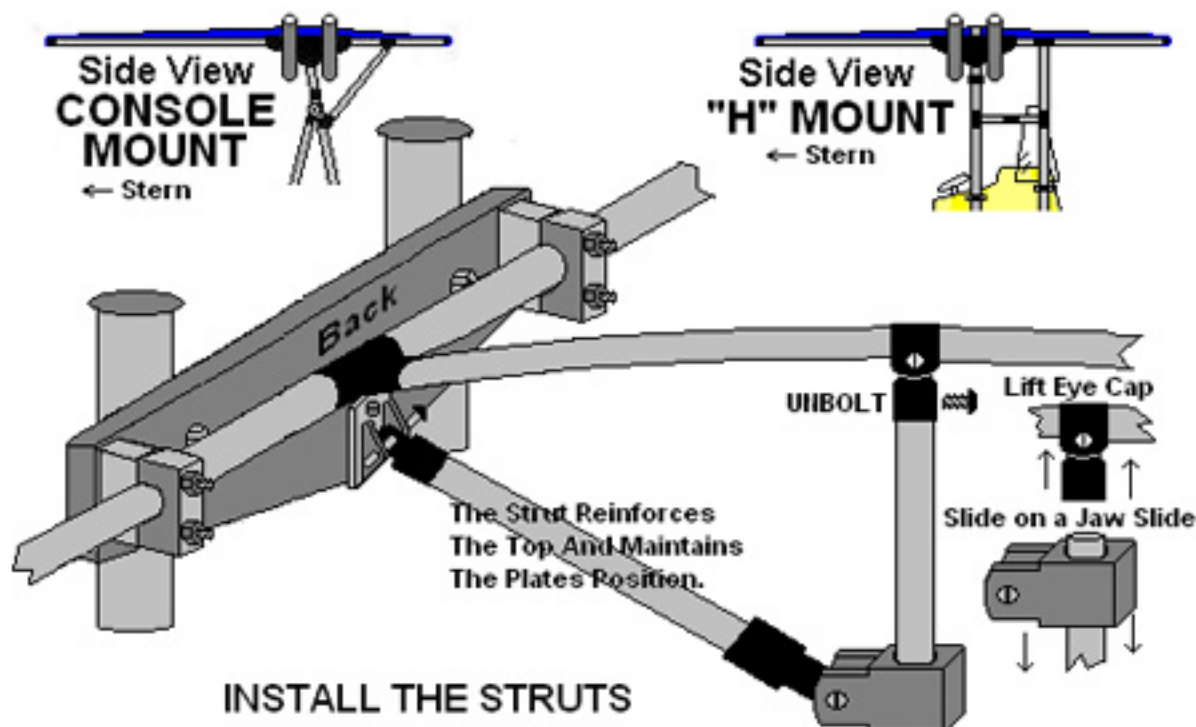


Both Mounting Plates Clamp To Cover Frame Sides

How To Set Up Your Bimi-Tee Rod Holders

MOUNTING THE PLATES

1. Center The Plate With The Chevron Pointing To The Middle Of The "T" Fitting At The End Of The Main Bowed Bar.
2. Clamp The Plate To Cover Frame Side And Secure With The Lock Washers And Nuts.
3. Adjust The Angle So That The Rod Holders Point Outboard.

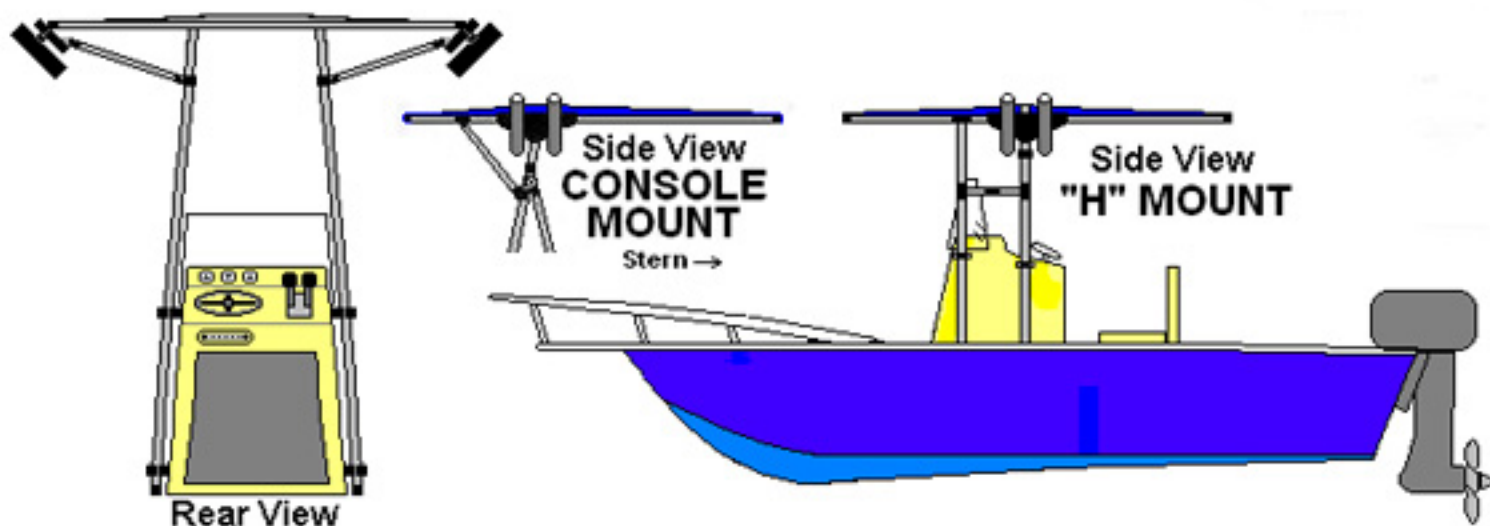


INSTALL THE STRUTS

1. Be Sure The Vertical Supports are Pinned And Locked.
2. Remove The Bolts That Secure The Eye Cap Or "T" Fitting On The Top Of The Vertical Supports.
3. Remove The Eye Cap Or "T" Fitting, Slide A Jaw Slide On The Vertical Support.
4. Replace the Caps Or "T" Fittings And Rebolt Them.
5. Angle The Rod Holder Plate Out at 45 degrees MOL.
6. Cut a Strut to form a triangle as shown.
7. Measure the Length Of The First Strut And Cut The Other Strut to Match.
8. You can adjust the angle of the Plate by moving the Jaw Slide up or down on the Vertical Support

DO NOT REMOVE THE LOCK PIN WHEN UNBOLTING THE EYE CAP OR "T" FITTING AT THE TOP OF THE VERTICAL SUPPORT

HOW TO SET UP YOUR BIMI-TEE ROD HOLDERS



The Bimi-Tee Rod Holders Mount On The Cover frame sides. With Two Rods In The Rear Holders, They Can Be Used Like Outriggers and You Can Walk Under The Top Without Ducking Under The Rod Butts. You Can Set Out A Live Bait In A Chum Slick Without Interfering With Your Other Casting Activities

Drop Back Set Up For Bimi-Tee Rod Holders

Want to troll for Billfish from your Bimi-Tee Rod Holders?

Billfish slash through bait fish and return to feed on the stunned bait fish. Spend 2 bucks on this simple rig, instead of 1,000, to get the dropback you need to fish for Billfish!

1. Get some copper rigging wire from a Tackle store.
2. Double, triple, or quadruple the wire as needed, depending on the size of the bait and the amount of line you let out .
3. Wrap the wire around a bow rail or other suitable item at the bow.
4. Pull back a loop of line from a point between the rod tip and the first line guide.
5. Hook the line on the copper wire hook.
6. Check the pull of the trolled bait to be sure your hook will withstand the pressure
7. Stagger your lines and watch out for seaweed.
8. Catch a Sailfish.

